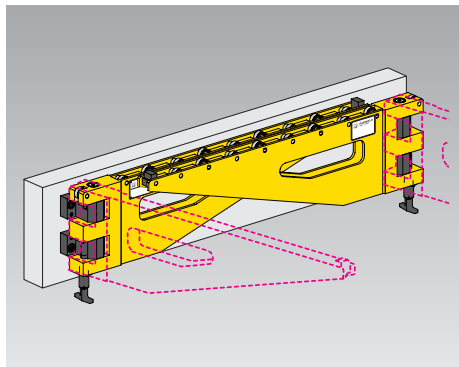




## Carrying Consoles, Swivelling to the Left and Right for easy and efficient die change on the press bed load per pair 10 to 60 kN



### Advantages

- Safe handling of heavy dies with ease
- Less downtime by easy and efficient die change
- High-quality, shock-resistant coating
- High load
- Low space requirement due to swivelling carrying consoles

### Application

Carrying consoles allow a safe, effort and time-saving change or transport of heavy dies.

### Description

This console is permanently fixed to the press bed and can be swivelled into the die changing position.

This type is particularly recommended when the available space in front of the press bed is limited, or if removal and intermediate storage of the console is not possible or wanted.

The die is loaded onto the consoles using a crane or a forklift truck.

The carrying rollers consist of high-strength hardened needle bearings. The end stop can be bypassed in one direction.

The surface is provided with a shock-resistant coating in RAL1004, golden yellow.

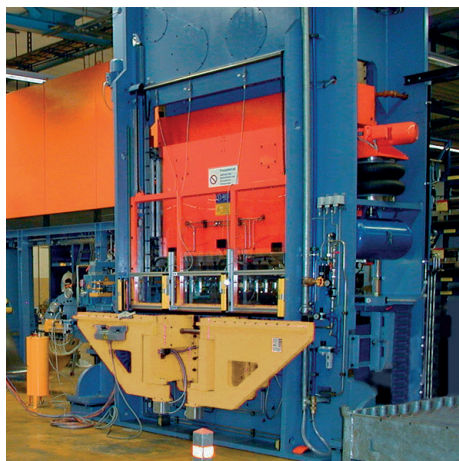
Swivelling carrying consoles are supplied in pairs with pre-mounted holders, ready for connection.

Special designs and double-swivel carrying consoles are available on request.

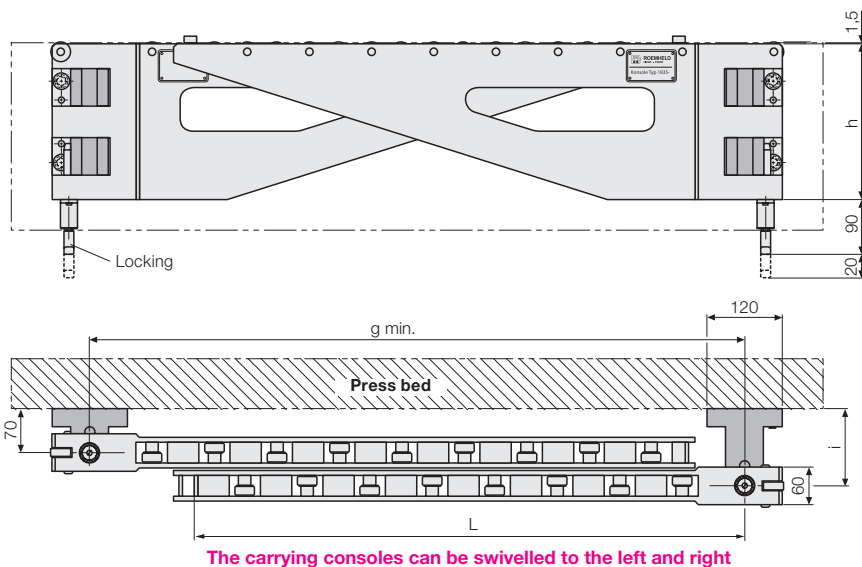
### Delivery

- 2 carrying consoles (left and right side)
- 4 holders (pre-mounted)

### Application example

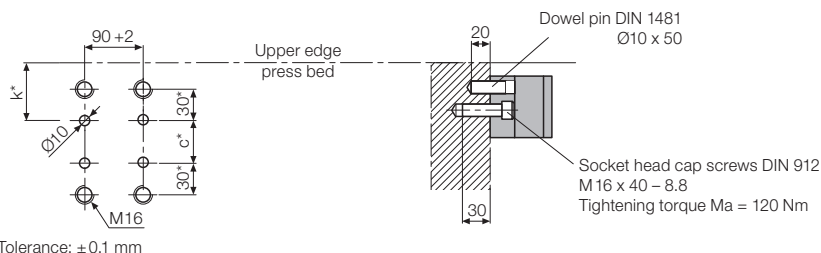


Swivelling carrying consoles on a press



The carrying consoles can be swivelled to the left and right

### Hole pattern for holders



\* Tolerance: ±0.1 mm

### Technical data

Load (pair) [kN]	Support length L [mm]	c ±0.1	Dimensions [mm]				Weight (pair) [kg]	Part no. (pair)
			g	h	i	k ±0.1		
10	500	20	550	200	125	91.5	46	<b>8 1835 1001</b>
10	1000	70	1050	250	125	91.5	74	<b>8 1835 1002</b>
20	1000	120	1050	300	125	91.5	85	<b>8 1835 1003</b>
20	1250	170	1300	350	125	91.5	108	<b>8 1835 1004</b>
40	1000	210	1050	450	130	121.5	130	<b>8 1835 1105</b>
40	1250	260	1300	500	130	121.5	160	<b>8 1835 1106</b>
60	1000	310	1050	550	130	121.5	165	<b>8 1835 1107</b>
60	1250	460	1300	700	130	121.5	230	<b>8 1835 1108</b>