



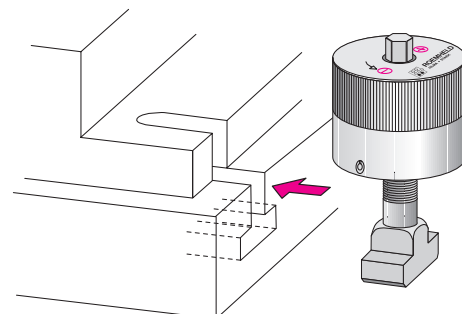
Clamping Nuts, Mechanical
with blind hole thread, without clamping force display



Advantages

- Temperature resistance up to 200 °C
- High clamping force with low torque
- Easy to retrofit
- Easy clamping and unclamping by hand
- Hydraulic-free and maintenance-free clamping
- Maximum force density in the smallest space

Application example



Application

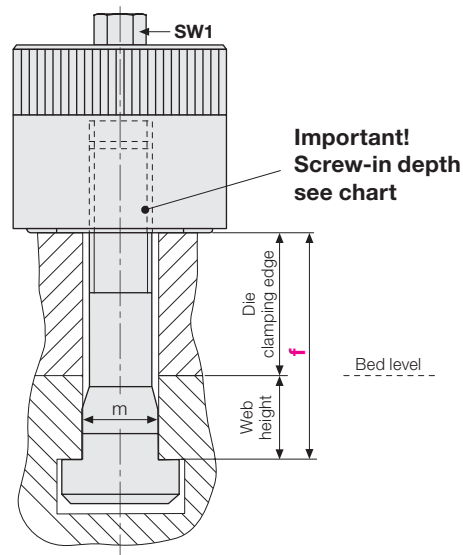
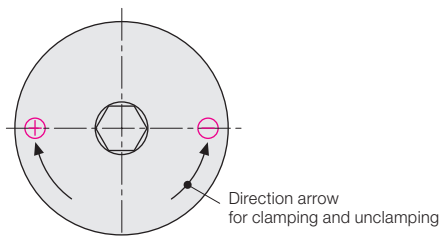
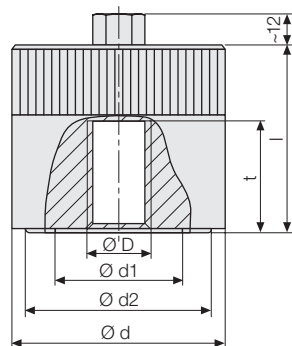
- Clamping and locking of dies on press bed and ram
- When highest clamping force is required in the smallest possible space
- If no hydraulic power unit is available
- Where oil-free clamping is desired

Description

Following manual positioning of the clamping nut against the clamping edge, the integral planetary gear will be operated by turning the hexagon nut.

As a result of the gear transmission, the tightening torque is multiplied. To reliably ensure the required clamping force, we recommend using a torque wrench.

Temperature range: -30 °C to +200 °C



Important!
Screw-in depth see chart

Functional dimension "f":

= die clamping edge
+ web height of T-slot
please specify when ordering

Example of ordering

2275 820 / F80

Clamping nut, mechanical
T-slot 22 mm
Clamping force 60 kN

Functional dimension
"f" = 80 [mm]
please specify when ordering

Technical data

T-slot DIN 650	[mm]	18	22	28	36	42	42
Clamping force	[kN]	60	60	100	150	150	200
Tightening torque	[Nm]	25	30	45	70	75	90
D	[mm]	M 16	M 20	M 24	M 30	M 36	M 36
d	[mm]	62	62	73	83	83	120
d1	[mm]	32	32	42	52	52	82
d2	[mm]	60	60	71	81	81	118
l	[mm]	50	50	70	75	75	80
t	[mm]	24	24	35	40	40	45
SW 1	[mm]	13	13	15	17	17	19
Min. screw-in depth	[mm]	16	16	25	30	30	35
Max. screw-in depth	[mm]	24	24	35	40	40	45
Clamping nut with T-bolt							
Weight, approx.	[kg]	2.0	2.1	3.2	5.5	6.5	6.5
Part no.		2275816	2275820	2276824	2277830	2277836	2278836
Clamping nut without T-bolt							
Weight, approx.	[kg]	0.9	0.85	1.7	2.2	2.1	4.6
Part no.		2275716	2275720	2276724	2277730	2277736	2278736

* Additional sizes as well as variations in the thread sizes and T-slot dimensions are available on request.