



## Hydraulic Accessories

Pressure switches, valves, pressure gauges and hydraulic oil

### Pressure switches

#### Pressure switch HDS

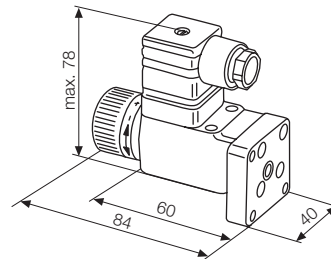


#### Description

Mini pressure switch, adjustable as a piston pressure switch

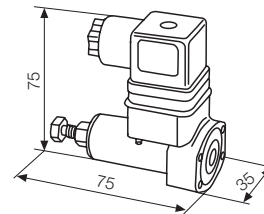
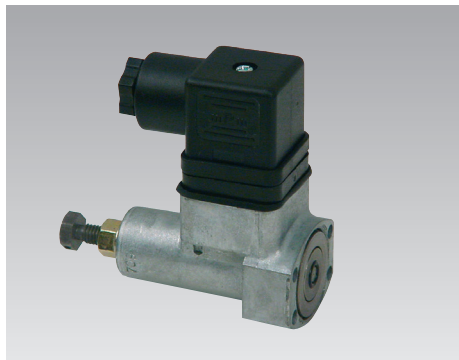
#### Technical data

Max. operating pressure [bar]	400
Temperature range [°C]	-40 up to +80
Port	DIN ISO 16873



Designation	Adjustment range [bar]	Part no.
HDS-1-120	10 – 120	29400 0051
HDS-1-250	25 – 250	29400 0052
HDS-1-400	40 – 400	29400 0053

#### Pressure switch DG



Designation	Adjustment range [bar]	Part no.
DG 33	200 – 600	29400 0019
DG 34	100 – 350	29400 0020
DG 35	20 – 210	29400 0021

#### Accessories for pressure switches

<b>Connecting plate</b> for pipe connection G 1/4 for HDS	29502 0003
<b>Plug</b> with double LED and cable 1.5 m	20975 0036
<b>Plug</b> DIN 43650, plug insert 4 x 90° rotatable	20970 0012
<b>Spare O-ring</b> Ø 5 x 1.5 mm	19501 0026

### Directional seat valve (WH1)

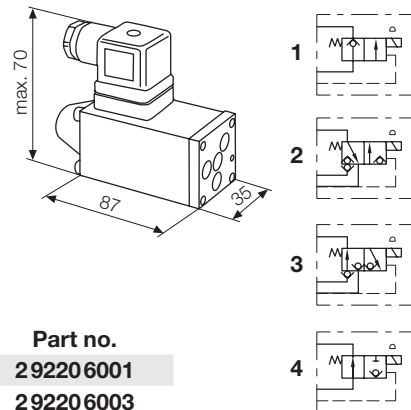


#### Description

3/2 directional control valve with leak-free and tight ball-type poppet valves. Compact design by integration of the valve components in the magnetic body. The directional seat valve has an emergency stop.

#### Technical data

Max. flow rate [l/min]	8
Max. operating pressure [bar]	400
Temperature range [°C]	-40 up to +80
Solenoid voltage [V DC]	24



Designation	Flow rate	Circuit diagram	Part no.
WH 1 D	8 l/min	1	29220 6001
WH 1 N	8 l/min		29220 6003
NBVP 16 Z	20 l/min	2	29220 6042
WH 1 R	8 l/min		29220 6004
NBVP 16 Y	20 l/min	3	29220 6043
WH 1 F	8 l/min	4	29220 6009
GZ 3-1 A24	as per customer's request		29220 1042
G 3-1 A24		29220 1043	

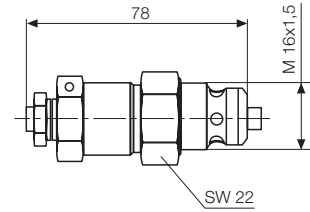
Pressure relief valve



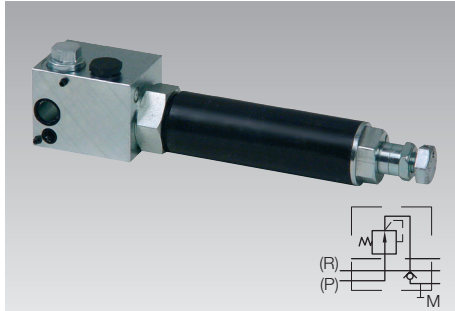
Description

Safety valve to prevent exceeding the maximum admissible pressure and for limiting operating pressures.

Designation	Flow rate [l/min]	Part no.
CMV 1B - 420	20	292300114



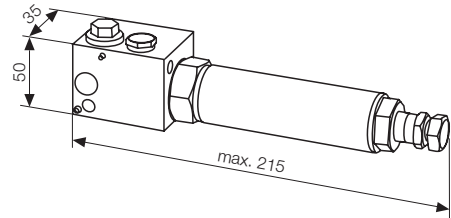
Pressure reducing valve



Description

Pressure control valve for keeping the lower output pressure in the secondary circuit constant without affecting the higher pressure in the primary circuit. Screw-in type valve in combination with connector block.

Designation	Adjustment range [bar]	Part no.
CZ 5/80/5R	15 – 130	292320023



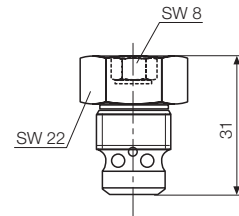
Check valves



Description

Stop valves with free flow in one direction and blocked oil flow in the opposite direction.

Designation	Port	Part no.
CRK 1	M 16 x 1.5	292500076



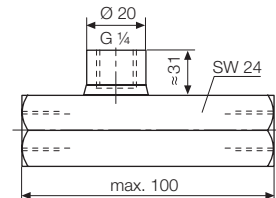
Check valves for pipe installation



Description

Check valves with one flow direction. Housing made from galvanised steel. Spring-loaded ball-type poppet valve, leakage-free Pilot-operated by hydraulic pressure Control pressure = 0.38 x operating pressure + 12

Designation	pilot operated	Port	Graphical symbol	Part no.
B2-1	no	G ¼		292500008
B2-2	no	G ⅜		292500009
B2-3	no	G ½		292500010
RH1	yes	G ¼		292500047
RH2	yes	G ⅜		292500034



Pressure gauge



Description

Pressure gauge with steel pipe spring and glycerine filling. Ø 63 mm

Pressure range [bar]	Port	Part no.
0 – 600	G ¼, at the bottom	138660004
0 – 160	G ¼, at the bottom	138660050
0 – 600	G ¼, on the back	138660051

Hydraulic oil

Designation	Temp. range [°C]	Container [l]	Part no.
HLP 32	10 – 50	1	698950010
HLP 32	10 – 50	5	698910010
HLP 46	20 – 60	1	698960010
HLP 46	20 – 60	5	698970010

Hydraulic oil Oemeta fire-resistant

Designation	Temp. range [°C]	Part no.
HF-DU	10 – 200	on request

(e. g. for the use in forging presses)