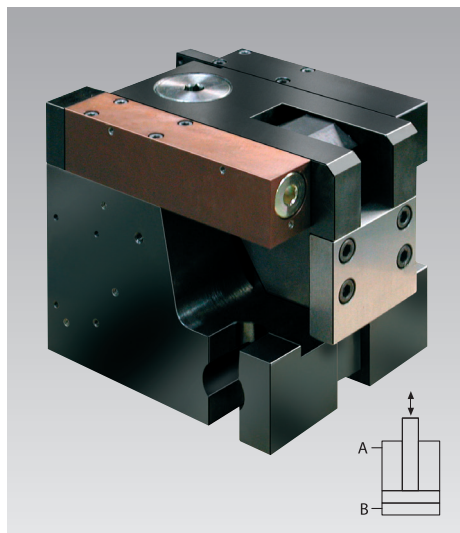




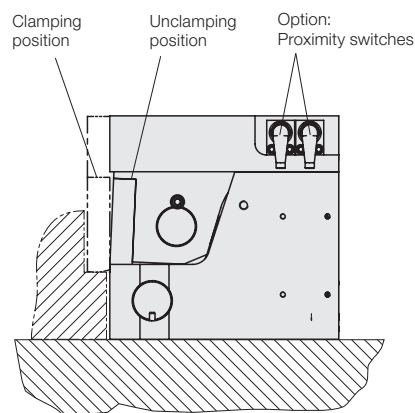
## Extending Clamps with mechanical lock

### double acting, max. operating pressure 100 bar



#### Advantages

- Compact housing and high force density
- High operational safety by position monitoring and automatic motion sequence
- Self-locking by mechanical lock
- Low operating pressure 100 bar
- Easy installation



#### Application

- Preferably on press beds
- For clamping and locking dies and moving bolsters in presses

#### Description

##### Clamping:

First, the cylinder piston pushes the clamping lever into the clamping position to the die clamping edge.

Released by the hydraulic sequence control, pressure is then applied to the clamping and locking mechanism.

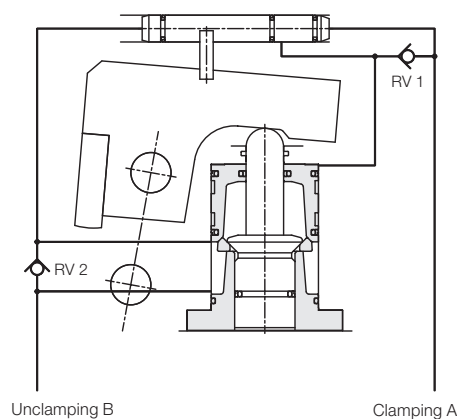
Once the clamping force is built up, the clamping element is self-locking. This mechanical lock prevents unintentional unclamping of the die even if there is a hydraulic pressure loss.

##### Unclamping:

For unclamping, the clamping and locking mechanism is hydraulically unlocked.

Released by the hydraulic sequence control, pressure is applied to the cylinder piston which pushes the clamping lever into the unclamping position. Unclamping and clamping positions are monitored by inductive proximity switches.

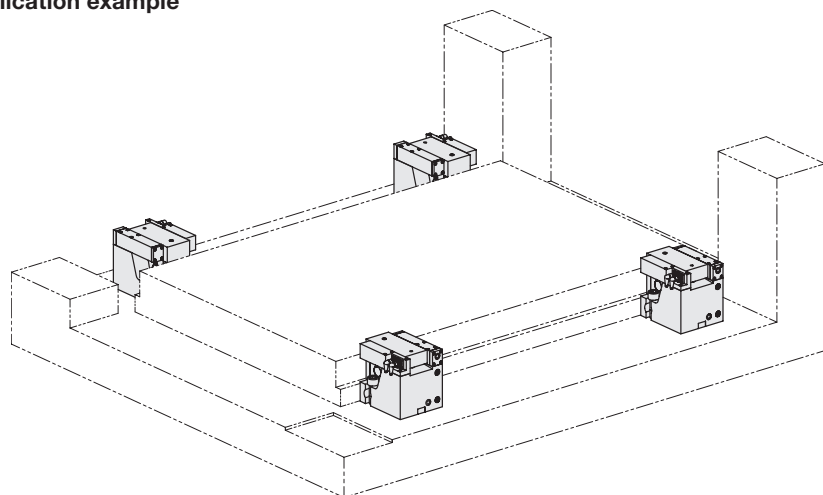
#### Hydraulic diagram



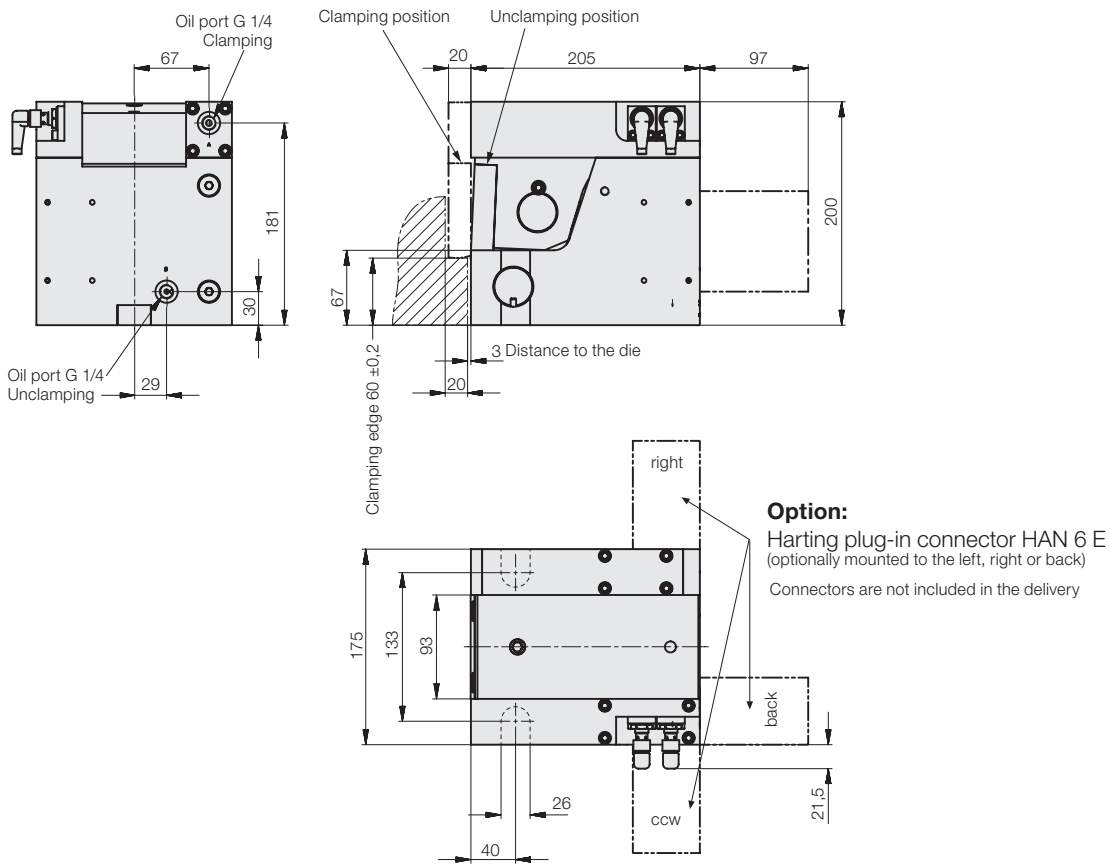
#### Special versions on request

- Design and position of plug-in connector for proximity switches
- Proximity switches for temperatures up to 120 °C
- Cover plate for better protection in extremely dirty environments
- Clamping edge height larger than 60 mm

#### Application example



## Technical data Dimensions



### Technical data

<b>Clamping force at 100 bar</b>	<b>[kN]</b>	<b>200</b>
Adm. operating force	[kN]	250
Operating pressure	[bar]	100
Oil volume clamping	[cm <sup>3</sup> ]	204
Oil volume unclamping	[cm <sup>3</sup> ]	188
Flow rate	[l/min]	1.6 – 2.5
Operating temperature	[°C]	70
Screws DIN 912-8.8		M 24
Tightening torque	[Nm]	660
Weight	[kg]	46

<b>Part no.</b>	
<b>without Harting plug-in connector</b>	<b>824800105</b>
<b>with Harting plug-in connector, mounted to the left</b>	<b>824800106</b>
<b>with Harting plug-in connector, mounted to the right</b>	<b>824800107</b>
<b>with Harting plug-in connector, mounted to the back</b>	<b>824800108</b>