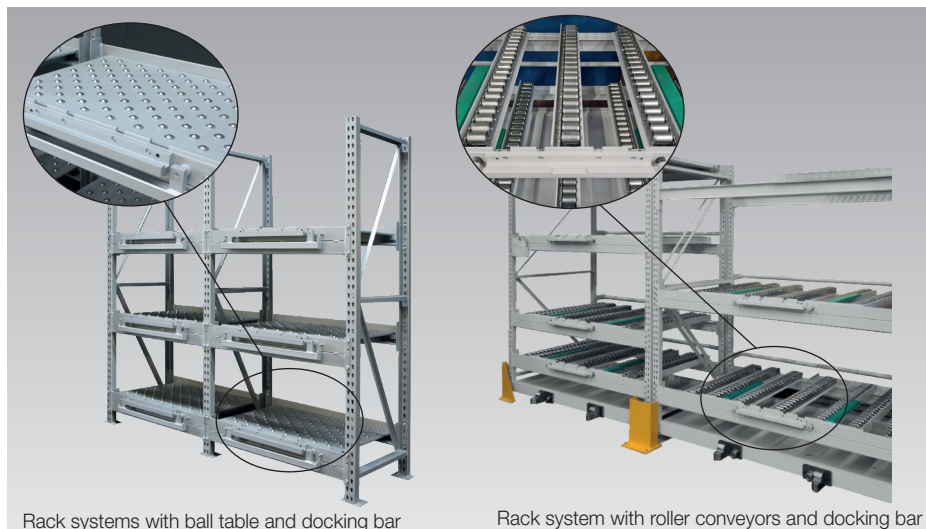


Rack Systems for Die Storage

with safety docking station for die changing carts RW/RWA,
with roller conveyors or ball tables



Rack systems with ball table and docking bar

Rack system with roller conveyors and docking bar

Application

Rack systems with special roller conveyors or ball tables enable the user to change heavy dies safely, with less effort and more quickly. Mounted docking hooks or docking bars on the rack system enable precise positioning and safe docking of a die changing cart.

Design and further technical details in the project and according to customer-specific requirements.

Please contact us!

Versions

Rack systems with roller conveyors or ball table

- With docking hooks for die changing carts RW / RWA 500
- With docking hooks for die changing carts RW / RWA 1000
- With docking bars for die changing carts RWA 1600 – RWA 6000

Safety docking station

The docking station, consisting of two docking hooks or a docking bar, each mounted on the front of the rack system and die changing cart, enables precise and easy transfer of the dies.

Docking the hooks or bars lowers the safety bar and raises the ball bars in the changing table of the die changing cart.

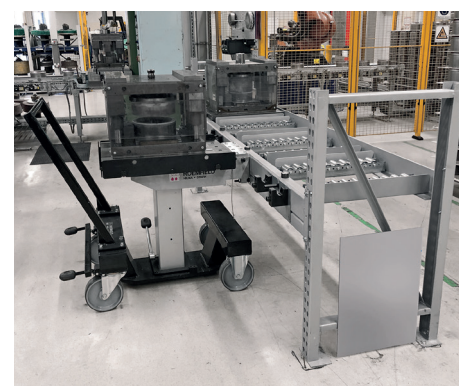
The rack system can be equipped with roller conveyors or ball tables.

A mechanical bolt with spring return in the docking station on the rack serves as a safety device and is automatically activated when the die changing cart is undocked so that no dies can roll out unintentionally after they have been stored.

Advantages

- Safe, force-saving and wear-free die storage
- Time-saving die change
- High level of safety thanks to docking station and semi-automatic, secured front bars or safety bolt
- Optimum transfer height from changing cart to rack system
- Optimised for die changing cart RW / RWA

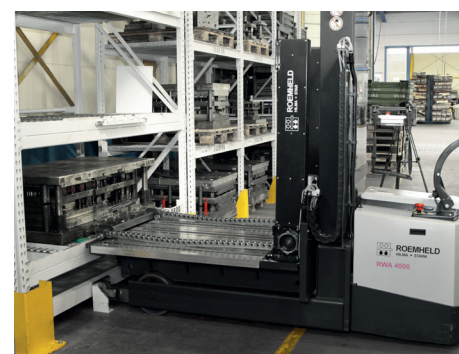
Application examples



Semi-automatic docking of die changing cart RW 500 and rack system



Rack system with docking hooks and die changing cart RW 500



Rack system with docking bars and die changing cart RWA 4000 with pull-push chain

Rack Systems for Die Changing Carts RW / RWA 500

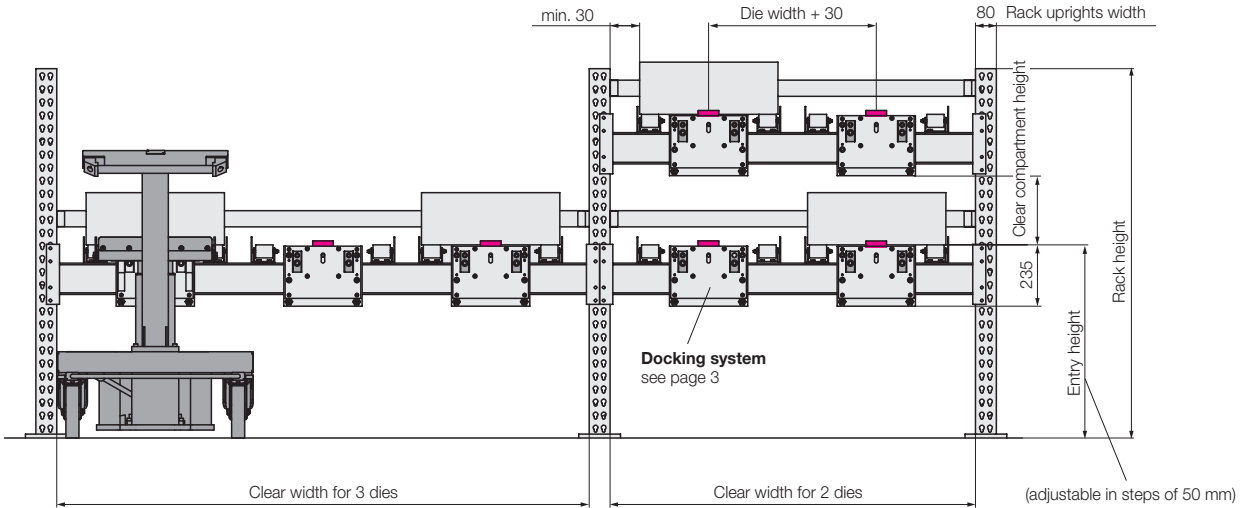
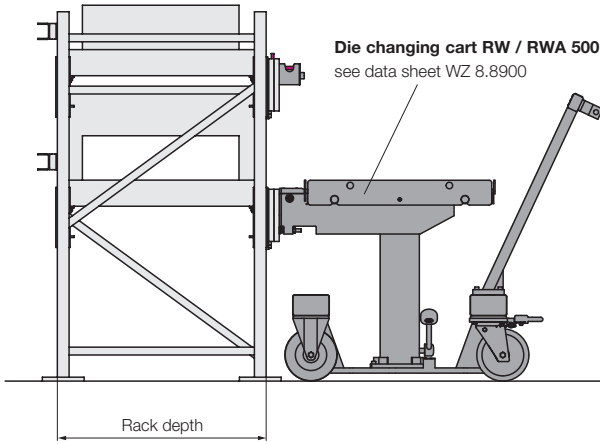
Rack system with roller conveyors or ball table

Version with docking hooks for die changing cart RW / RWA 500 for die weights up to 500 kg.

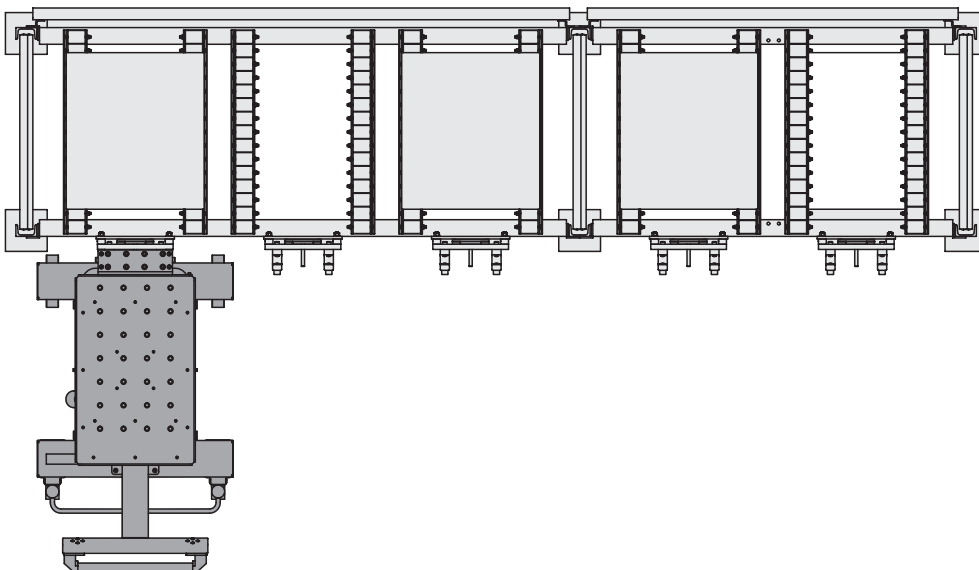
The field widths, the rack depths and the number of roller conveyors are supplied according to the customer's dies.

RW / RWA 500

Die changing cart stroke	Entry height min.	Entry height max.	Clear compartment height max.
200	539	589	–
300	639	839	–
400	739	1039	–
500	839	1239	165
600	939	1439	265



Minimum distance of the dies: 300 mm (on the table)

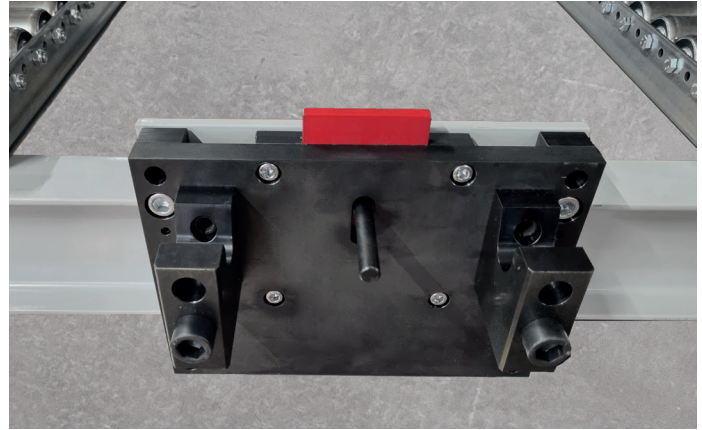
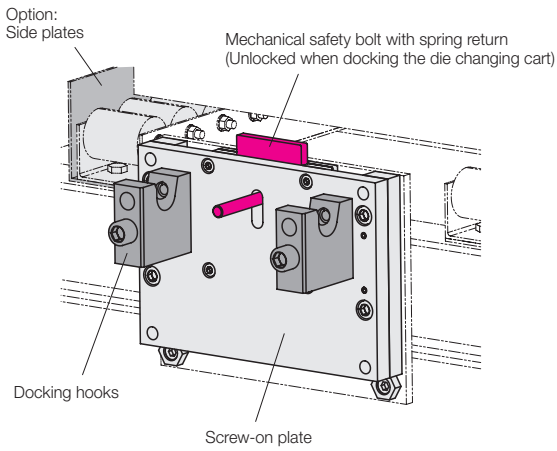


All dimensions in [mm]

Screw-on plate with docking hooks

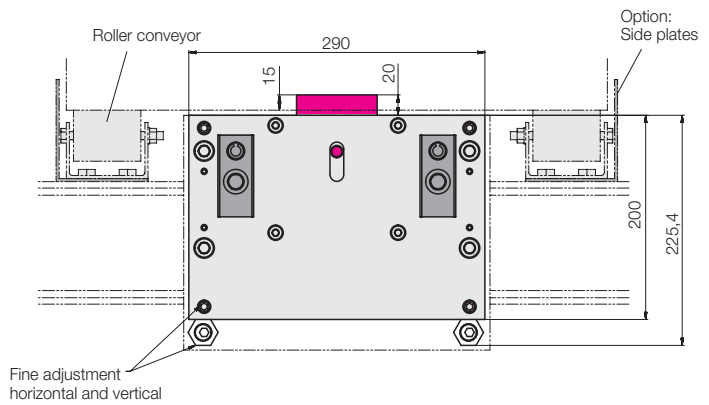
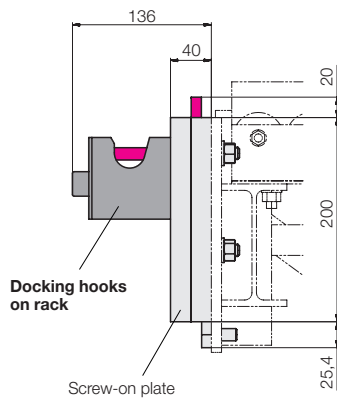
for attachment to rack systems, compatible with docking hooks on die changing carts RW / RWA 500

Part no. 7 8910 0008



Semi-automatic docking hooks and safety bolt on the rack system designed for die changing carts RW / RWA 500

Dimensions



All dimensions in [mm]

Rack Systems for Die Changing Carts RW / RWA 1000

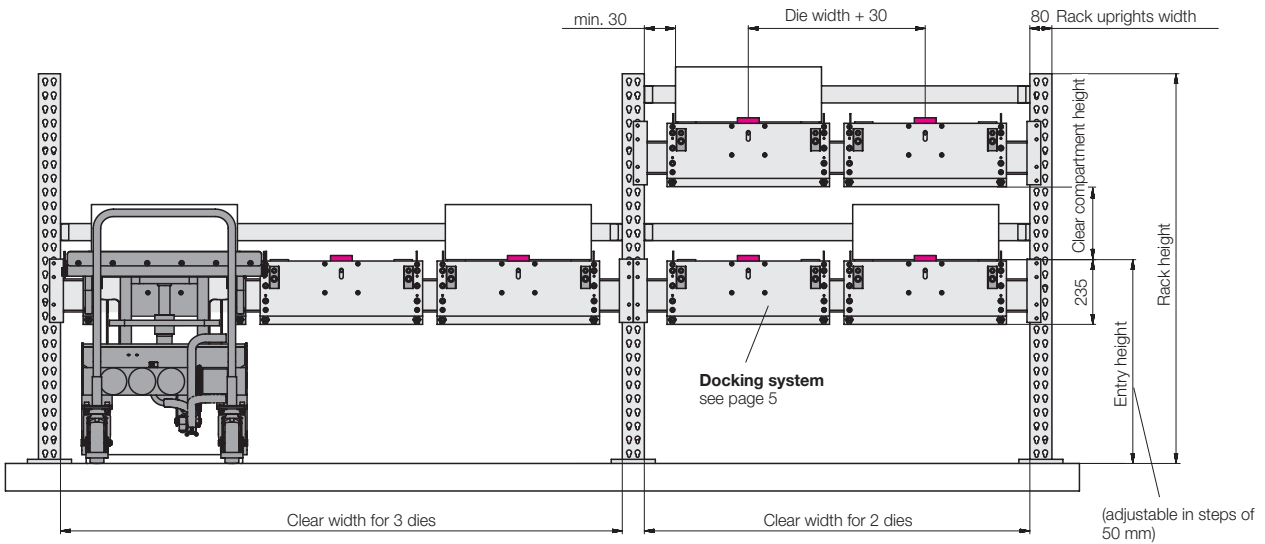
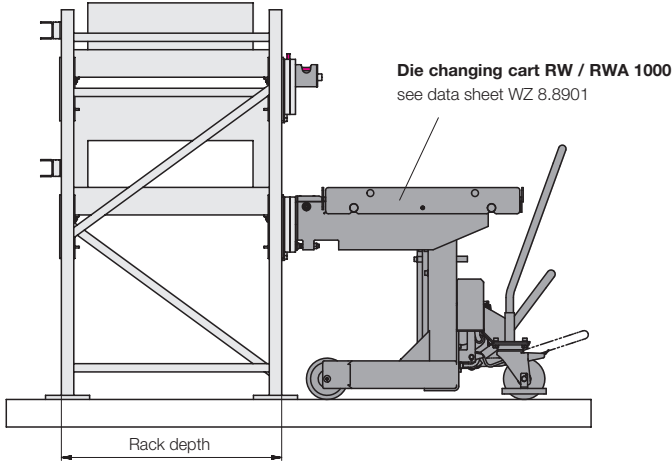
Rack system with roller conveyors or ball table

Version with docking hooks for die changing cart RW / RWA 1000 for die weights up to 1,000 kg.

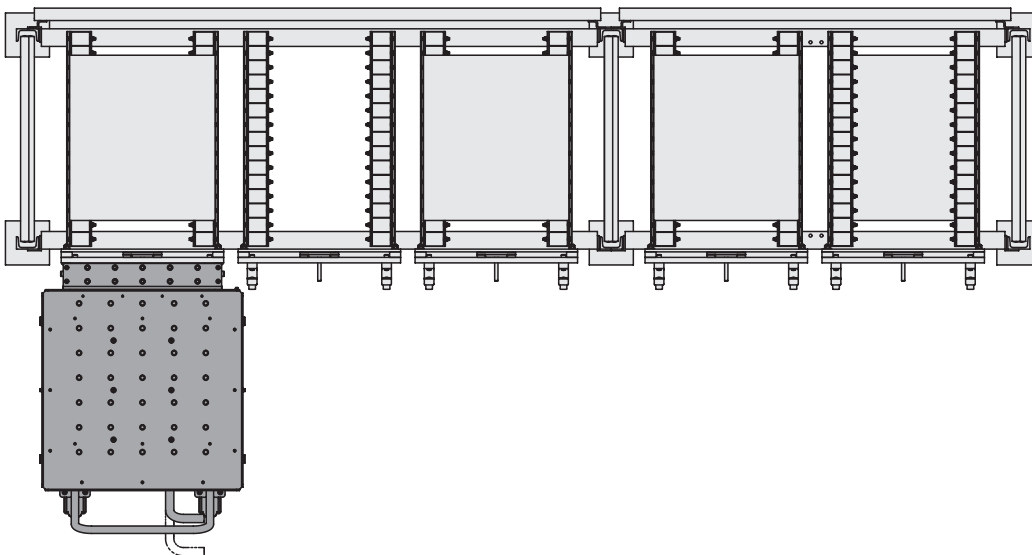
The field widths, the rack depths and the number of roller conveyors are supplied according to the customer's dies.

RW / RWA 1000

Die changing cart stroke	Entry height min.	Entry height max.	Clear compartment height max.
700	689	1239	315



Minimum distance of the dies: 600 mm (on the table)



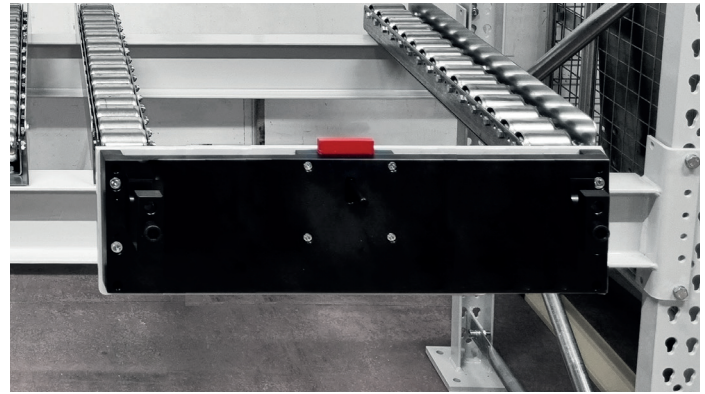
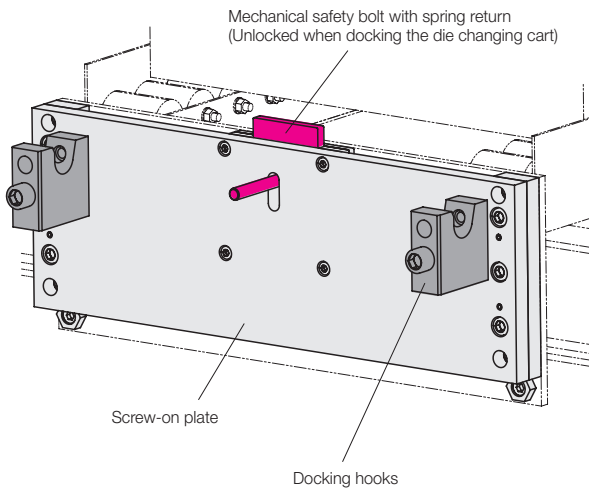
All dimensions in [mm]

Docking System for Rack Systems and Die Changing Carts RW / RWA 1000

Screw-on plate with docking hooks

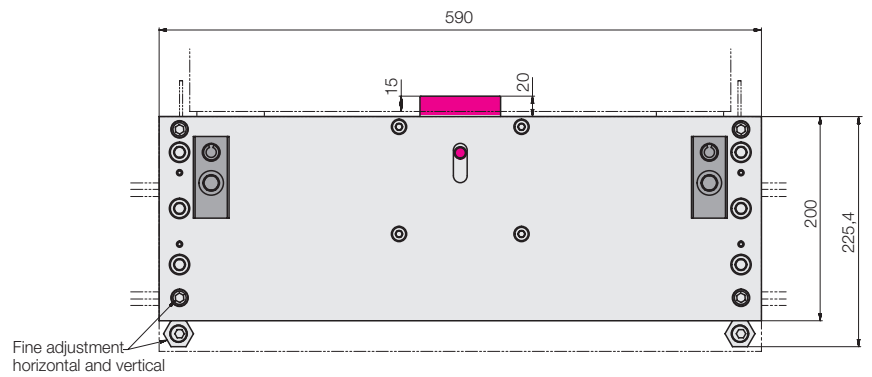
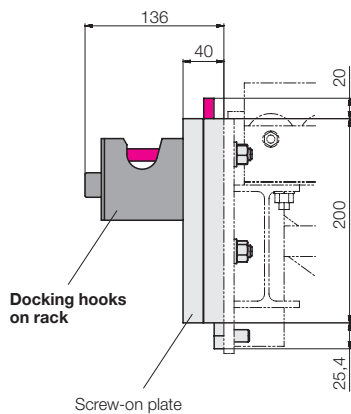
for attachment to rack systems, compatible with docking hooks on die changing carts RW / RWA 1000

Part no. 78910009



Semi-automatic docking hooks and safety bolt on the rack system designed for die changing carts RW / RWA 1000

Dimensions



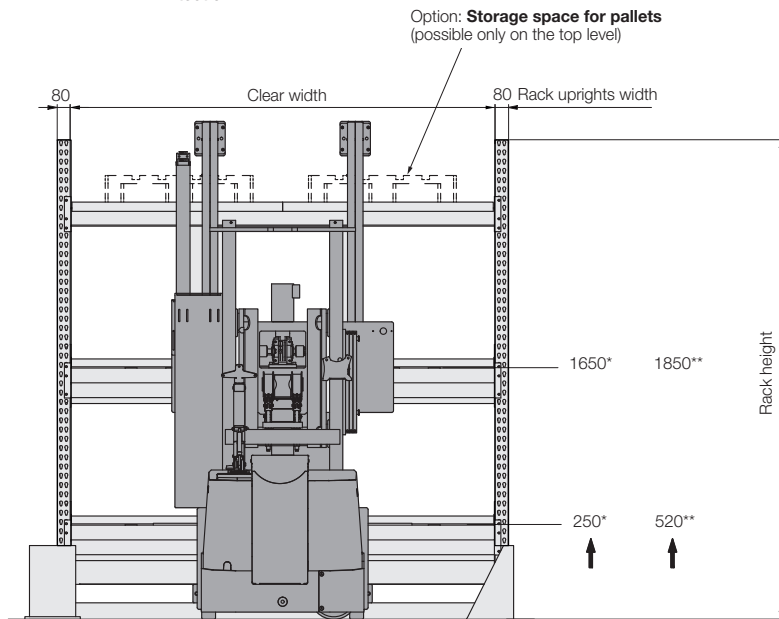
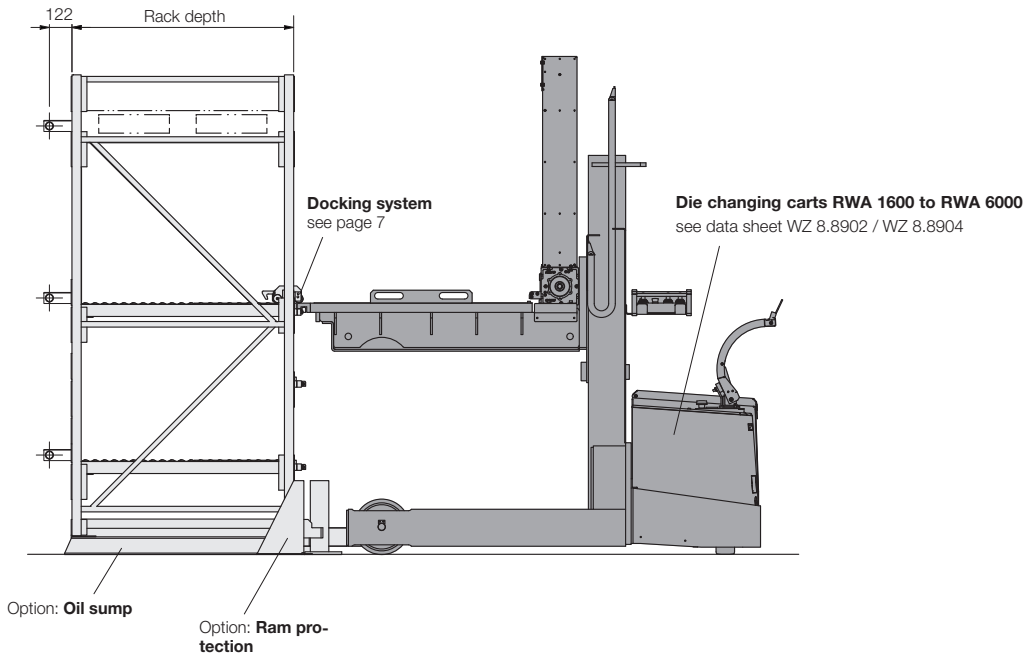
All dimensions in [mm]

Rack Systems for Die Changing Carts RWA 1600 to RWA 6000

Rack system with roller conveyors or ball table

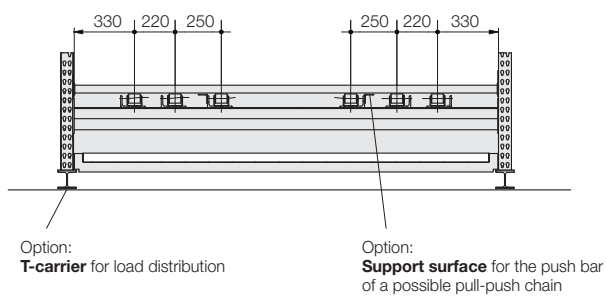
Version with docking bar for die changing carts RWA 1600 to RWA 6000 for die weights up to 6,000 kg.

The field widths, the rack depths and the number of roller conveyors are supplied according to the customer's dies.



* Min. entry height RWA 1600
 ** Min. entry height RWA 4000

Exemplary representation of a possible division of the roller conveyors

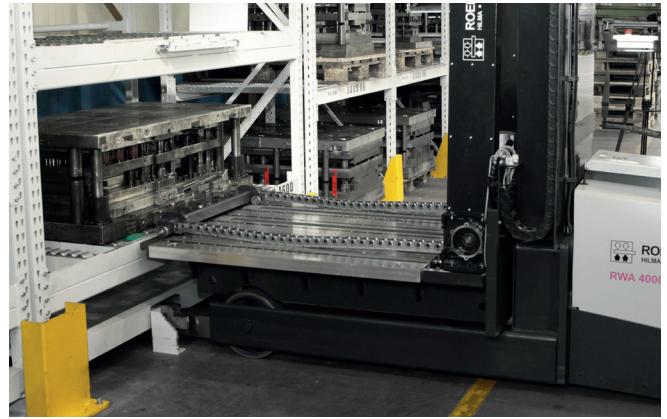
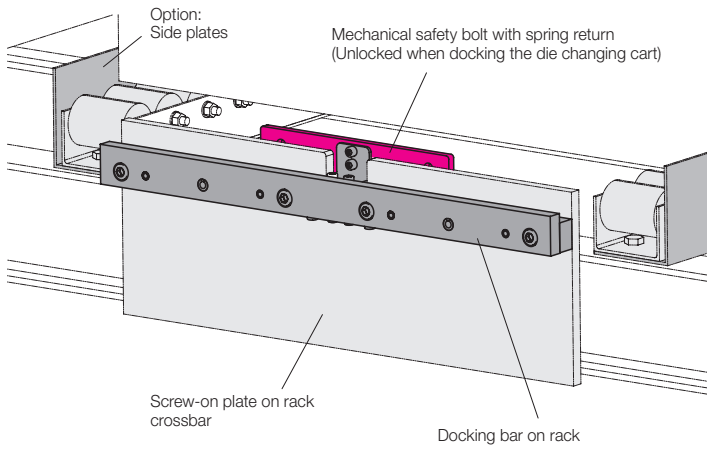


All dimensions in [mm]

Screw-on plate with docking bar

for attachment to rack systems, compatible with docking hooks on die changing carts RWA 1600 to RWA 6000

Part no. 789100011



Rack system with docking bars and die changing cart RWA 4000 with pull-push chain

Dimensions

