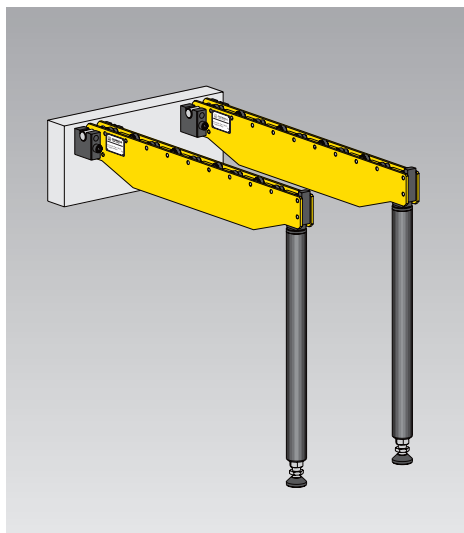




## Carrying Consoles, supported

for easy and efficient die change on the press bed  
 load per pair 20 to 250 kN



### Advantages

- Safe and easy handling of heavy dies
- Less downtime thanks to simple and efficient die change
- High-quality, shock-resistant coating
- High load

### Application

Carrying consoles allow for the safe change of heavy dies on the press bed in a way that saves effort and time.

### Delivery

2 carrying consoles (pair)  
 1 set of hooks (4 pcs)  
 2 supporting feet

### Description

The carrying consoles are hung in the docking hooks on the die changing side of the press. The docking hooks are supplied with the consoles. The consoles are used as a pair. Their size must be selected to suit the highest die weight. For heavy die weights and large dies, the hanging console is equipped with a supporting foot.

Versions with roller feet and transport carts are available for transporting the carrying consoles.

The die is loaded onto the consoles using a crane or a forklift truck. The rollers of the carrying consoles consist of high-strength hardened roller bearings. The end stop can be bypassed in one direction.

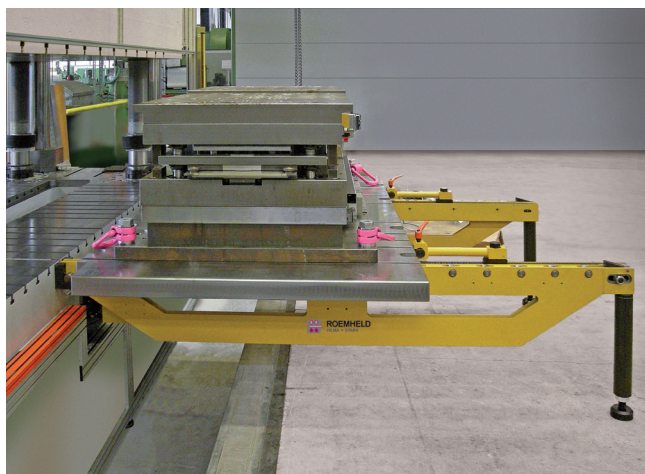
The surface is provided with a shock-resistant coating in RAL1004, golden yellow.

### Versions and options on request

#### Carrying consoles, supported

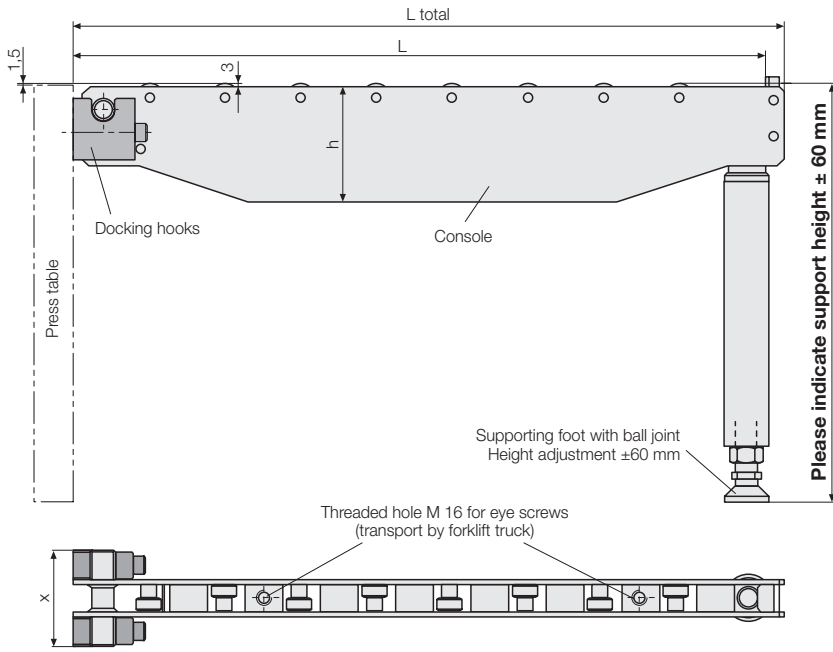
- With roller feet
- With roller feet and transport supports
- With lateral die guide
- For stacker loading from the side
- A separate transport cart

### Application example



# Carrying consoles, supported

## Technical data • Dimensions

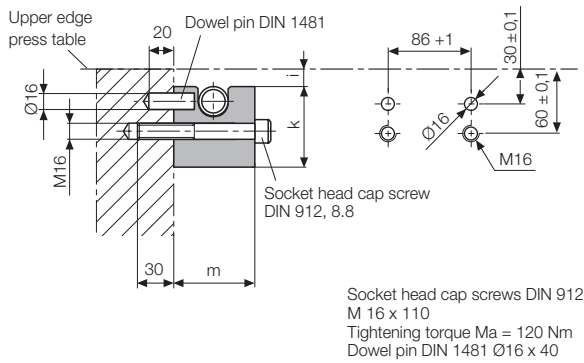


### Note

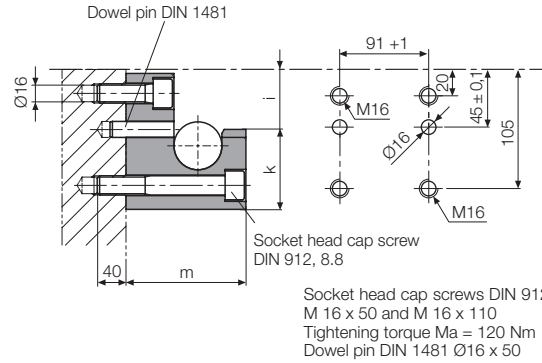
The carrying console is aligned horizontally using the height-adjustable supporting foot. When using roller/ball bars in the press bed, make sure that the carrying consoles are all on the same level as the roller/ball bars.

### Drilling pattern for docking hooks

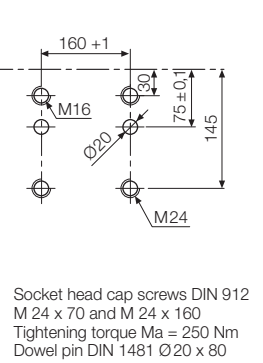
#### Console 20 – 40 kN



#### Console 60 – 100 kN



#### Console 160 – 250 kN



### Technical data

Load (pair) [kN]	Support length L [mm]	L total [mm]	Dimensions [mm]					Weight (pair) [kg]	Part no. (pair)
			h	i	k	m	x		
20	1000	1040	150	14.5	80	80	125	65	8 1835 3001
20	1250	1290	180	14.5	80	80	125	100	8 1835 3102
20	1600	1640	200	14.5	80	80	125	116	8 1835 3003
40	1000	1040	200	14.5	80	80	125	80	8 1835 3204
40	1250	1290	200	14.5	80	80	125	90	8 1835 3205
40	1600	1640	225	14.5	80	80	125	110	8 1835 3206
60	1000	1030	200	5	115	100	131	85	8 1835 3209
60	1250	1280	220	5	115	100	131	100	8 1835 3210
60	1600	1630	240	5	115	100	131	125	8 1835 3211
60	2000	2030	270	5	115	100	131	150	8 1835 3212
100	1250	1280	250	5	115	100	131	115	8 1835 3213
100	1600	1630	280	5	115	100	131	140	8 1835 3214
100	2000	2030	320	5	115	100	131	175	8 1835 3215
160	1600	1685	260	5	170	150	216	390	8 1835 3216
160	2000	2085	260	5	170	150	216	475	8 1835 3217
160	2500	2585	280	5	170	150	216	605	8 1835 3218
250	2500	2585	360	5	170	150	216	615	8 1835 3220

### Delivery

- 2 carrying consoles (pair)
- 1 set of docking hooks (4 pcs)
- 2 supporting feet

Please specify the exact support height when ordering.

### Order example:

- Support height 1000 mm
- Console 1000 mm long
- Max. 20 kN
- SH = support height 1000 mm

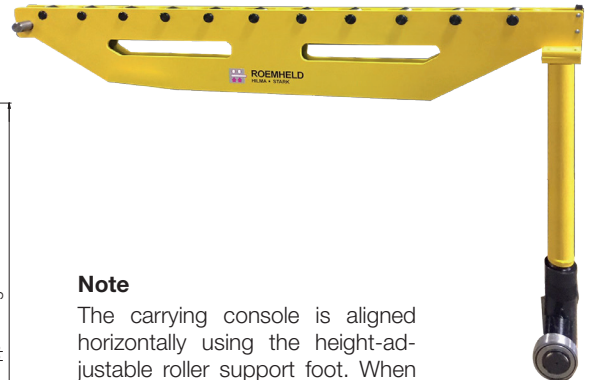
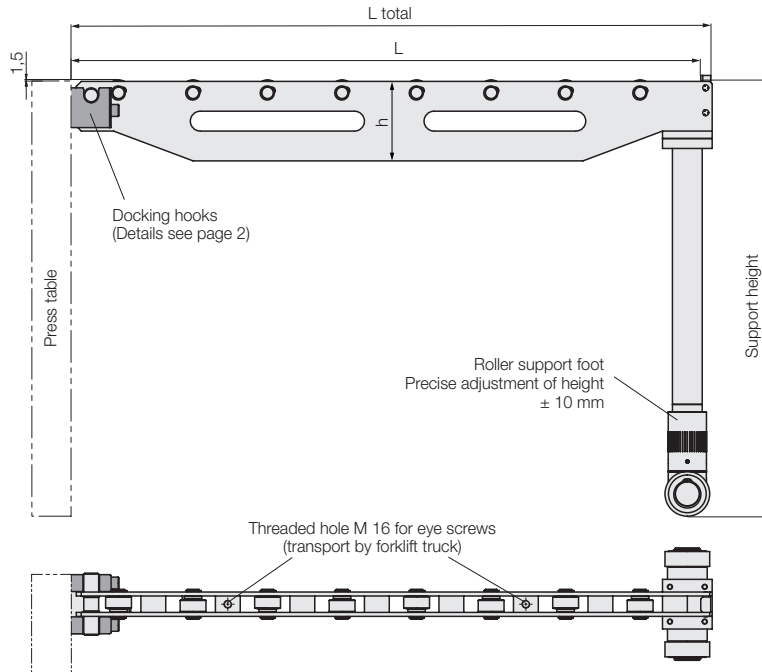
Part no. 8 1835 3001 SH1000

**Supported carrying consoles can be equipped with customized options and accessories.**

Please contact us!

**Carrying console, supported, with roller feet**

In this version, the supporting feet are equipped with transport rollers to make it easier to move the carrying consoles to the storage area or to the next press.



**Note**

The carrying console is aligned horizontally using the height-adjustable roller support foot. When using roller/ball bars in the press bed, make sure that the carrying consoles are all on the same level as the roller/ball bars.

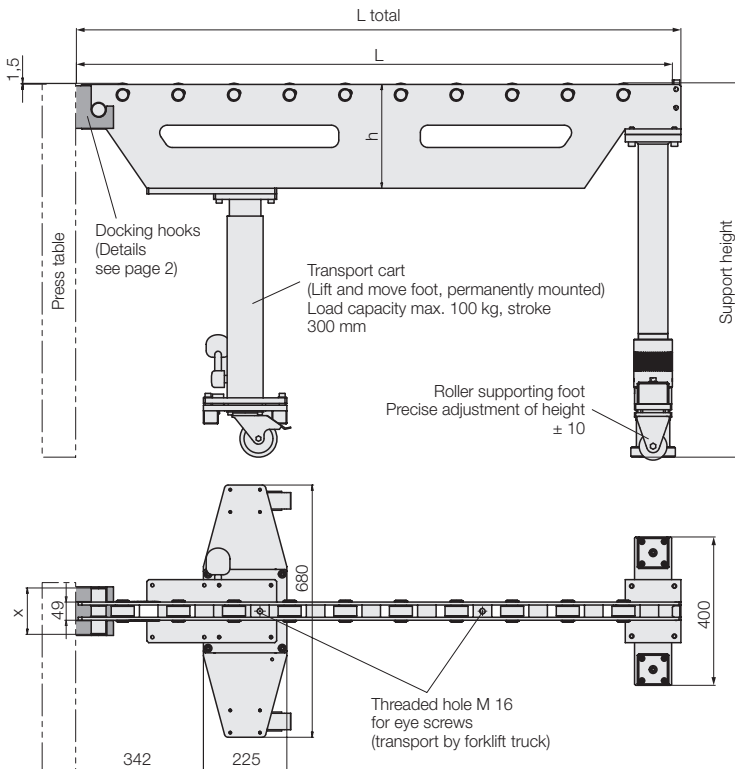
**Delivery**

- 2 carrying consoles (pair)
- 1 set of docking hooks (4 pcs)
- 2 supporting feet with rollers

**Carrying console, supported, with recessible roller feet and transport cart**

In this version, the transport rollers of the supporting feet are relieved of load when dies are changed; they are therefore also suitable in applications with high die weights. The front transport roller supports facilitate safe, tilt-free transport.

**Dimensions**

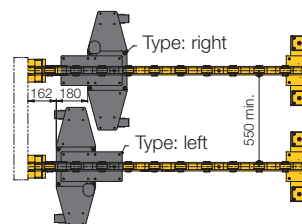


**Delivery**

- 2 carrying consoles (pair)
- 1 set of docking hooks (4 pcs)
- 2 supporting feet with rollers and supports
- 2 transport carts (type: left/right)



Possible arrangement of transport carts

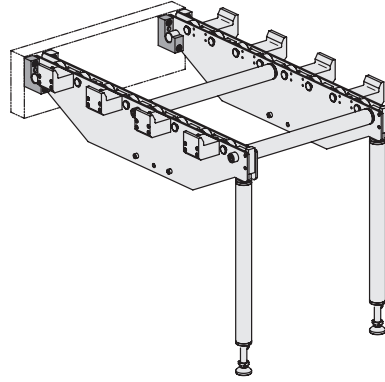


## Possible options or accessories

Supported carrying consoles can be equipped with customized options and accessories.  
Please contact us!

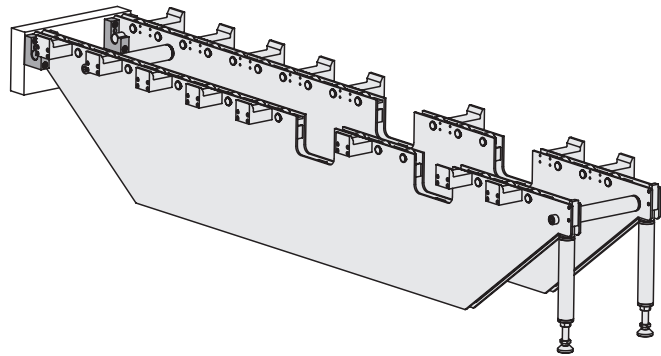
### Carrying consoles with lateral guide

The guide serves as initial pre-centring which then makes it easier to insert the dies into the press. To accommodate the die weights, the die changing consoles are firmly connected to each other.



### Carrying consoles with stacker loading from the side

Recesses in the shape and dimensions similar to a forklift fork allow the die changing consoles to be loaded from the side. With this version, the changing consoles must be connected to each other and/or the supporting feet must be firmly anchored to the floor.

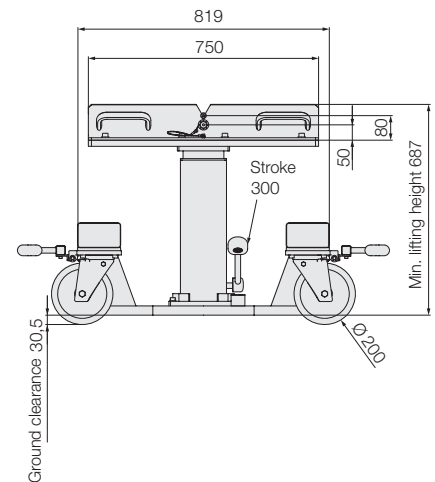
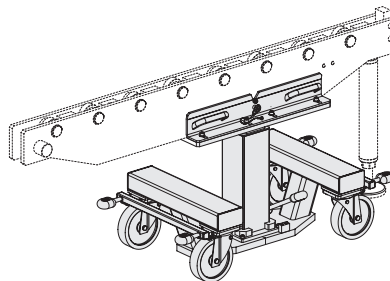


### Separate transport cart

If an indoor crane is not available, a separate transport cart is used for safe transport of the die changing consoles to the next press.

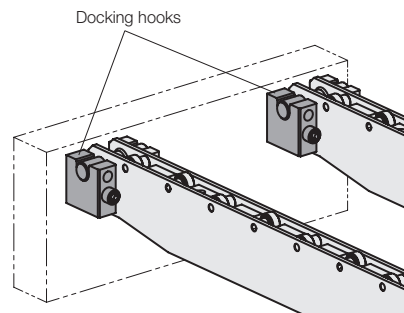
Equipped with 4 steering rollers and 2 double brake levers  
Lifting height: 200, 300 and 400 mm

Option:  
2 × steering roller with double brake levers + 2 × steering roller not braked with lockable direction of rotation for better mobility (directional stability).



### Docking hooks (accessory)

Hanging consoles may be used for several presses. An additional set of docking hooks are required (1 set = 4 pcs).  
One set of docking hooks is included in every delivery.  
Additional details see page 2



Load [kN]	Part no.
20 – 40	7 1835 0007
60 – 100	7 1835 0021
160 – 250	7 1835 0022