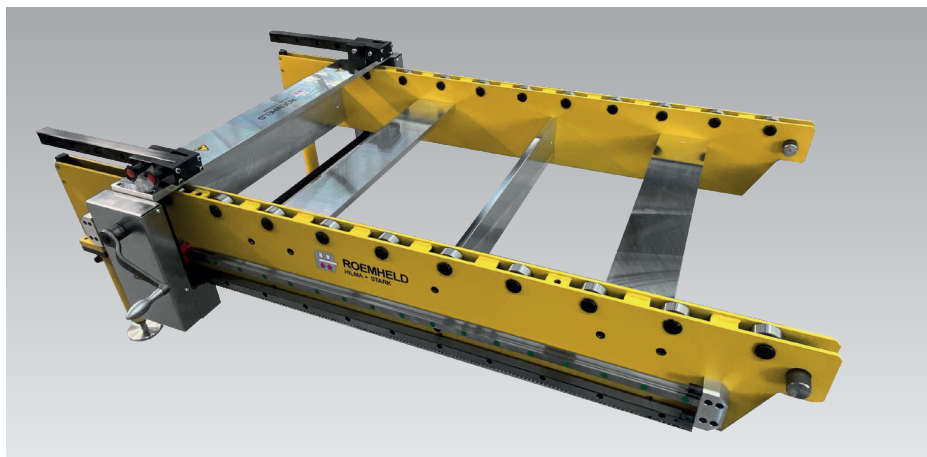




Die Changing Consoles, manually driven

for easy and efficient die change on the press bed
with crank handle and transmission gearing, die weight of up to 6 tons



Advantages

- Safe and easy handling of heavy dies
- Less downtime thanks to simple and efficient die change
- Straightforward handling
- Easy manual insertion of the dies with roller or ball bars in the press bed
- Increased safety for the operator
- Low-cost alternative to an electric drive

Application

Die changing system directly adapted to the press for handling heavy dies easily and quickly. The drive system has been developed for standard die changing consoles and can be easily installed as it requires little space. Thus, it is ideally suited for both retrofitting and new constructions.

Description

This die changing console with crank handle and transmission gearing enables the user to change dies weighing up to 6 tons in hard-to-reach places, saving time and effort. (Higher loads on request)

Roller and ball bars in the T-slots of the bed provide for easy insertion of the die. Individual solutions including automatic die changing and integration in the press are possible.

Function

The drive console is hung in hooks on the press for this purpose and then locked. The die is placed on the consoles using a crane or a forklift truck.

After the die has been put in place, it can be connected to the push-pull docking device of the changing station.

A crank handle at the side allows the user to safely and effortlessly insert and position the die.

During a die change, the press bed is free, i.e. the push and pull elements do not project over the press bed. Also, the rear side of the press is completely free. This changing station is suitable for almost any press, can be easily removed and is easy to handle.

Delivery

- 2 carrying consoles (pair)
- 1 set of hooks (4 pcs)
- 2 supporting feet
- 1 set of hooks (2 pcs)

Optional equipment

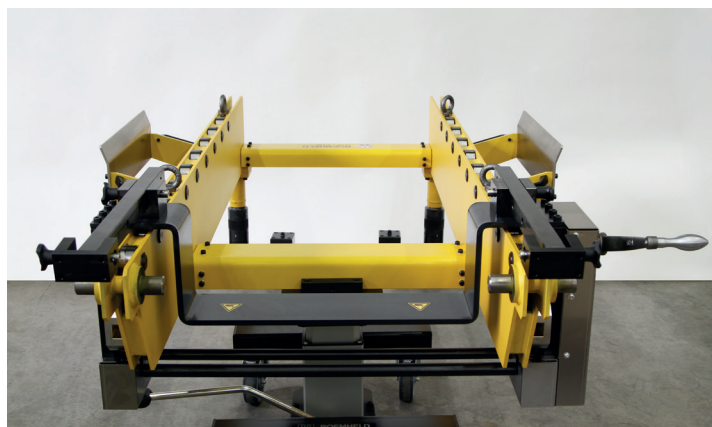
- Transport cart for consoles
- Coupling unit on die
- Lateral guide

See page 2



Die changing console with crank handle and transmission gearing

Application examples

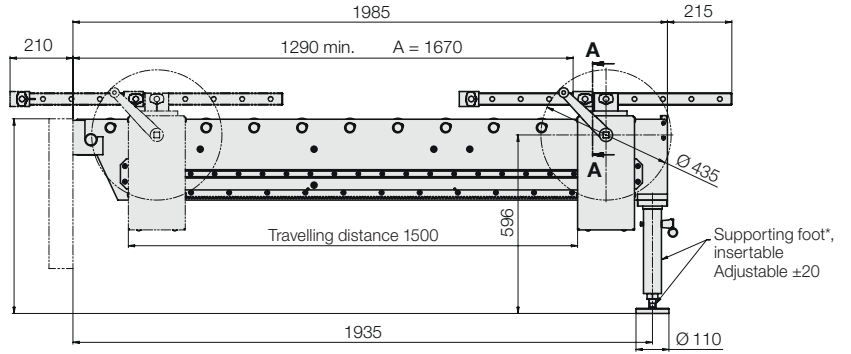
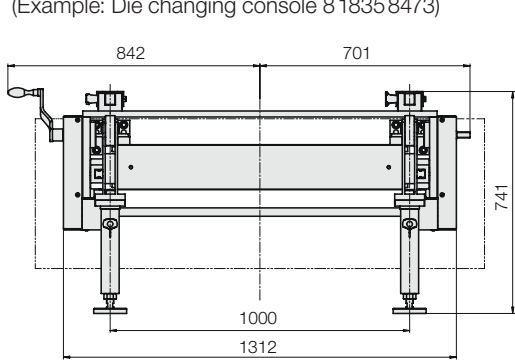


Dimensions • Technical characteristics

Optional equipment upon request

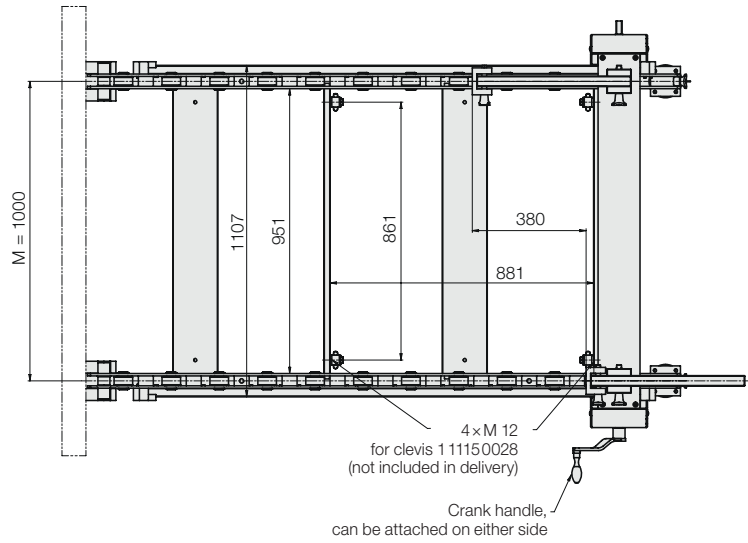
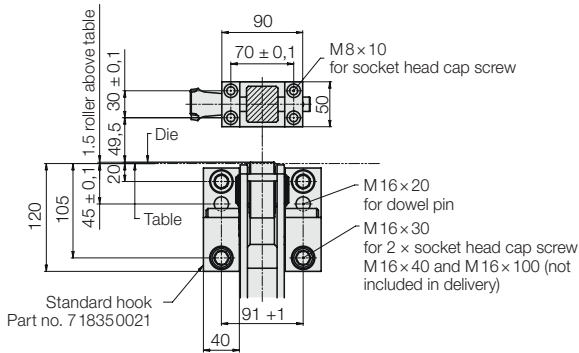
Dimensions

(Example: Die changing console 8 1835 8473)



*Supporting feet for other support heights upon request

A - A



Technical data

Length of console	as per customer's request
Support height	as per customer's request
Die weight	up to 6 tons

Dimensioning and further technical details in the course of the project

All dimensions in [mm]

Optional equipment upon request

