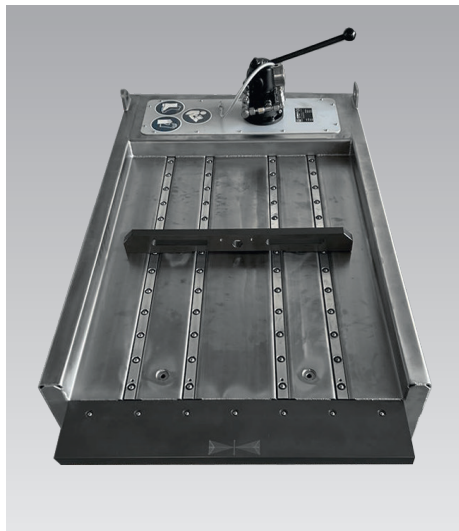




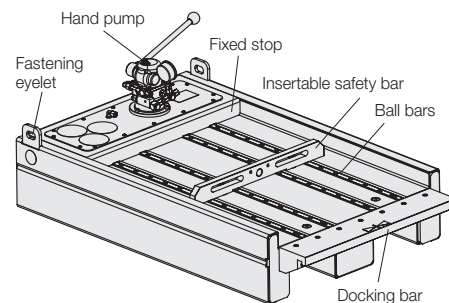
Die load platform RLP

hydraulic load platform with die changing table, hand pump and hydraulic ball bars, max. load capacity 1,000 kg



Advantages

- Safe, non-destructive die transport of heavy dies
- Time-saving die change
- Adaptable to various industrial trucks
- Docking bars and lowerable ball bars provide a high level of safety
- Fixed side bars and insertable front bar prevent the die from falling
- Integrated hydraulic pump facilitates easy lifting and lowering of the ball bars
- Exact positioning of the dies
- Safe pickup with fork arms



Application

The die load platform RLP is used for the safe transport and change of pressing and punching dies as well as injection and casting moulds up to a weight of 1,000 kg.

Description

The die load platform RLP is an expansion module for industrial trucks specifically equipped for the safe transport and change of dies. The hydraulic lifting platform is designed to function as a die changing table with integrated hydraulic ball bars and a hand pump, which facilitate the safe insertion of the dies onto the press table. During the transport, the ball bars are always lowered and the die is protected against movement. The load platform equipped with holes for the safety bar also protect the transported dies of different sizes from slipping.

A safety circuit ensures that the die changing cart can only be displaced with lowered ball bars. For a safe transfer of the die to the press, the lifting platform is equipped with a docking bar.

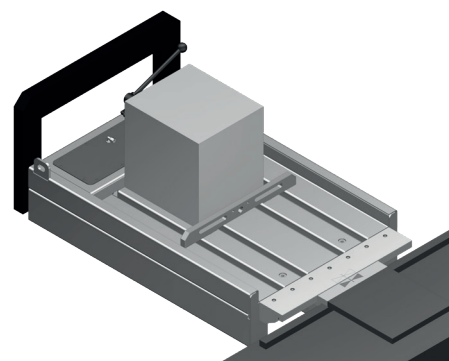
Versions

The die load platform RLP is equipped with 4 ball bars.

Customized versions for different table sizes, die dimensions and die weights are available on request.

Operation

1. Pick up load platform with an industrial truck
2. Secure the cart with suitable and approved straps or ropes against slipping
3. Lift/lower the ball bars with hand lever
4. Move the RLP using an industrial truck in a secured state
5. Carefully dock the load platform using the centring aid
6. Load/unload the load platform
7. Undock the load platform



Technical data Dimensions

Technical data

Max. die weight	[kg]	1,000
Platform size	[mm]	900 x 700
Stroke of the ball bars	[mm]	2
Load capacity at the load centre of gravity 350 mm	[kg]	1,000
Ball spacing	[kg]	76
Empty weight	[kg]	250
Part no.		on request

Delivery

- Load platform with hand pump
- 4 installed ball bars
- Insertable front bar
- Fixed side bars
- Docking bar on load platform
- Docking bar on machine

Versions on request

- Roller bars instead of ball bars
- Individual ball or roller distance
- Individual platform sizes

Dimensions

