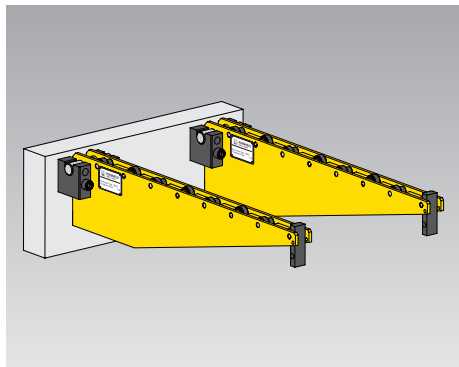




## Carrying Consoles, Hanging

for easy and efficient die change on the press bed  
load per pair 5 to 30 kN



### Advantages

- Safe handling of heavy dies with ease
- Less downtime by easy and efficient die change
- High-quality, shock-resistant coating
- High load

### Application

Carrying consoles allow a safe, effort and time-saving change of heavy dies on the press bed.

### Description

The carrying consoles are hung in the hooks on the die changing side of the press. The hooks are supplied with the consoles. The consoles are used as a pair. Their size must be selected to suit the highest die weight.

The die is loaded onto the consoles using a crane or a forklift truck. The carrying rollers consist of high-strength hardened needle bearings. The end stop can be bypassed in one direction.

The surface is provided with a shock-resistant coating in RAL1004, golden yellow.

### Delivery

- 2 carrying consoles (pair)
- 1 set of hooks (4 off)

### Accessories

#### Hooks

Hanging consoles may be used for several presses. In this case, an additional set of hooks is required and can be ordered as an accessory or replacement (1 set = 4 off).

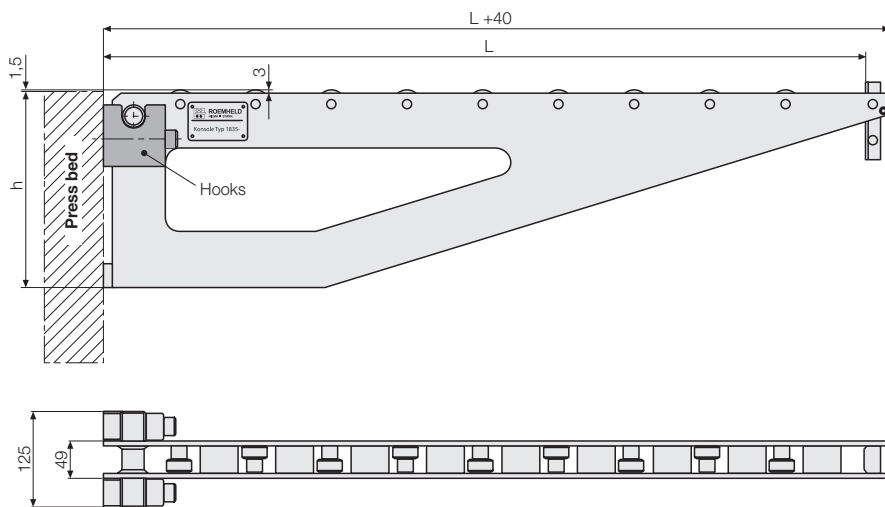
**Part no. 7 1835 0007**

### Customised carrying consoles

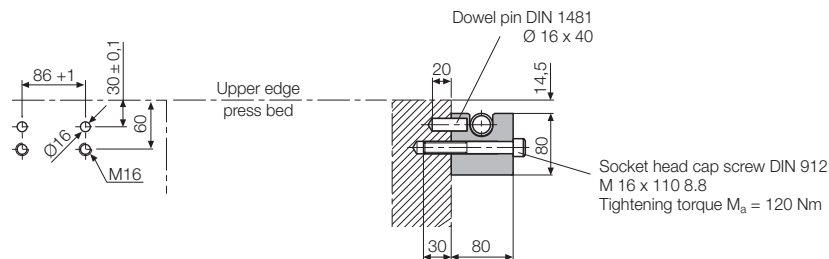
as e.g. sliding carrying consoles are available on request.



Hanging, sliding carrying consoles



### Hole pattern for hooks



### Technical data

Load (pair) [kN]	Support length L [mm]	Height h [mm]	Weight (pair) [kg]	Part no. (pair)
5	500	120	23	<b>8 1835 0001</b>
10	500	150	26	<b>8 1835 0002</b>
10	800	180	40	<b>8 1835 0003</b>
10	1000	250	48	<b>8 1835 0104</b>
20	800	250	40	<b>8 1835 0105</b>
20	1000	300	57	<b>8 1835 0006</b>
20	1250	350	80	<b>8 1835 0107</b>
30	800	400	60	<b>8 1835 0008</b>
30	1000	450	74	<b>8 1835 0009</b>
30	1250	500	107	<b>8 1835 0010</b>