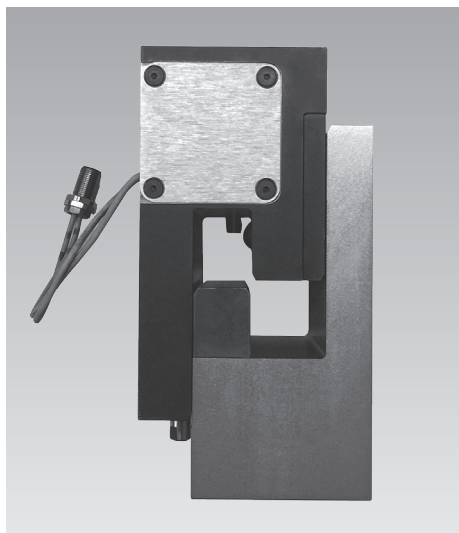




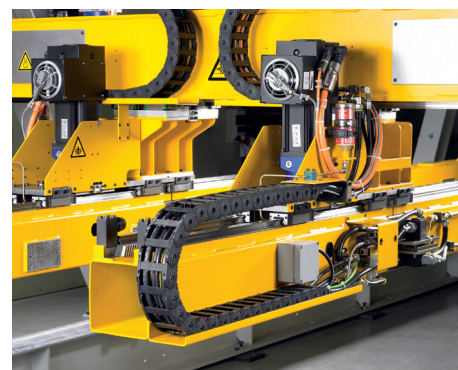
Grip Rail Couplings

Rapid clamping system for transfer bars coupling and clamping without energy



Advantages

- Safe coupling without energy
- Die positions are quickly and accurately reproducible
- High positioning accuracy of ± 0.04 mm
- Easy to retrofit
- No moving parts in the passive part, thus maintenance-free
- High dynamic rigidity
- Safe monitoring of the clamping and unclamping position
- Self-locking coupling element
- Flexible design of the energy couplings as per customer's specification
- Patented system



3-axis transfer system

Application

Grip rail couplings are used on transfer presses for automatic centring, coupling and clamping, whenever the maximum clamping force is required in the smallest space with high dynamic rigidity.

Description

In contrast to conventional systems, the new coupling design is such that all components for positioning, centring and clamping force build-up as well as for position monitoring are integrated into the active part of the coupling which is firmly connected to the press. The passive part of the grip rail coupling does not have any moving parts.

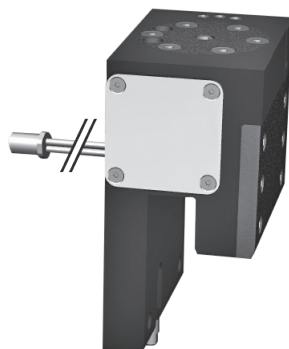
In order to keep the weight of the coupling low, the housings of the passive part is made from hard-coated, high-strength aluminium.

This grip rail coupling does not require hydraulic, electrical or pneumatic energy for coupling/uncoupling and clamping of a transfer bar and works absolutely without energy. The coupling uses the motion of the grip rail for coupling and uncoupling. Clamping is effected by positive locking and via spring force. The grip rail coupling has a much more compact design and no additional energy is required for the rail change.

The acquisition costs are significantly reduced since no tubing and piping is required.

Coupling – active part

The active part of the grip rail coupling works without hydraulic or pneumatic energy.



Coupling – passive part

The passive counterpart has no moving parts and is thus absolutely maintenance-free.

